



# Bird-Off Gel®



**NEW**

Exempt from FIFRA Regulation,  
40 CFR 152.25(f)

<b>WHERE TO USE</b>	Long, exposed ledges, parapets, signs, beams, pipes
<b>TARGET BIRD</b>	Pigeons, sparrows, starlings, gulls
<b>BIRD PRESSURE</b>	Light - Medium
<b>MATERIAL</b>	All-natural food-grade ingredients
<b>INSTALLATION</b>	Apply a 1/2-inch wide bead in a zig-zag pattern. One tube can protect up to 15 feet.
<b>INSTALLATION LEVEL</b>	Easy

*New lower price!*

## Very Discreet

Bird-Off Gel is a clear gel that effectively deters birds from most landing surfaces. Because it does not contain polybutene, this gel will not turn black from extended exposure to the elements.

## How It Works

This gel deters birds by a combination of feel, taste and smell. It is recommended that it is reapplied occasionally in heavy-traffic areas.

## Durable

Bird-Off Gel will not melt, evaporate or freeze, and will withstand wind, rain and heat

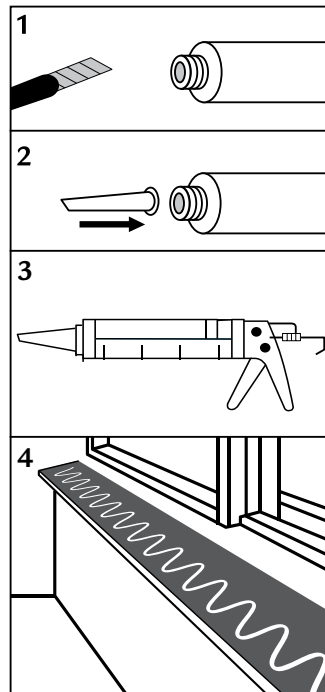
## Humane

It has a sticky texture, but will not entrap birds.

## Green

Made from all-natural, food-grade ingredients (Geranium Oil; a food additive). It's Polybutene-free and wipes easily from most surfaces, and cleans up easily with soap and water (it may stain dirty porous surfaces like concrete).

## Application Guidelines



1. Cut the tip off the tube.
2. Apply nozzle to tube.
3. Set the tube in caulking gun.
4. Apply 1/4-inch wide bead in a wave-like fashion.

### Bird-Off Gel

Clear 10.2 oz. Tube	TF-BG01	777079
Case of 10 Tubes	TF-BG10	
Dripless Caulk Gun	TO-CG10	



[www.birdbarrier.tv](http://www.birdbarrier.tv)

Learn how to install Bird Barrier products, watch news stories about birds, etc.



Bird-Off Gel is ideal for small applications that are hard to proof with mechanical deterrents.



On this sign, a few zig-zags are enough to keep the birds from returning.



The perimeter of this gas station is protected. It is low profile and cannot be seen from below.